

**New  
Proposal**

*Self-sucking type*

# **AIR DUST MONITOR**

**Continuous monitoring of  
dust emission from facilities**

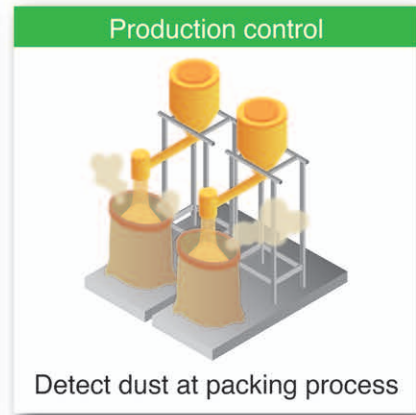
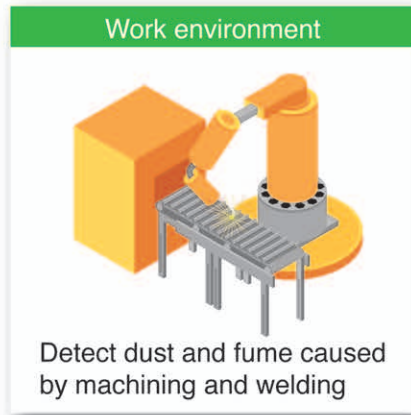
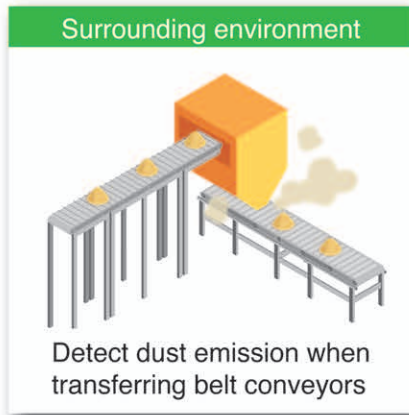


**Prevent  
dust emission to  
the neighborhood**

**Saving energy  
by controlling  
dust collectors**

**Improve indoor  
work environment**

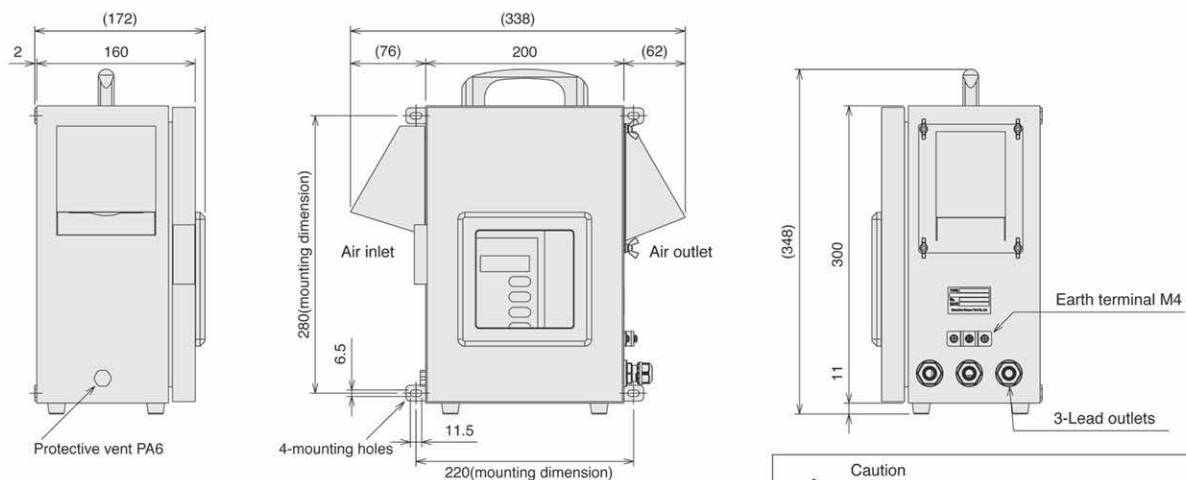
## Applications



## Specifications

Model	PFM-AD12
Principle	Triboelectric function
Condition	Particle size : $\geq 0.3\mu\text{m}$ , humidity : $\leq 40\text{vol}\%$
Power supply	AC110V/220V -15% / +10% 50/60Hz
Output signal	DC4~20mA x1 ( Max.23.3mA )
Fault alarm	1c x1 ( AC250V, 2A / DC30V, 2A )
Upper limit	1c x2 ( AC250V, 2A / DC30V, 2A )
Display	Concentration: digital 4 digit display (0.0 - 118.5%)
Measuring range	0.1-1000mg/m <sup>3</sup> 9 range adjustment Range 1 ( lower sensitivity ) - Range 9 ( higher sensitivity )
Integration time	0-30s
Protection	IP54 ( under the condition the cover and lead outlet are tightened )
Mass	Approx. 6.6kg

## Dimension (mm)



Specifications are subject to change without notice.  
All Rights Reserved Copyrights©2020, Matsushima Measure tech Co., Ltd.

**Caution**

- Read the instructions to ensure correct and suitable application of products.
- Contact our nearest sales office when using our products for any systems used in situations which may be life threatening.

Distributor

HEAD OFFICE



**Matsushima Measure Tech Co., Ltd.**

**HEAD OFFICE**  
1-8-18, NORIMATSU-HIGASHI, YAHATANISHI-KU, KITAKYUSHU, 807-0837 JAPAN  
Tel: +81-93-691-3731 FAX: +81-93-691-3735  
<https://www.matsushima-m-tech.com> E-mail: info@matsushima-m-tech.com

**SEOUL LIAISON OFFICE**  
220,2F Hyundai Knowledge Industry Center, 70, Dusan-ro, Geumcheon-gu, Seoul, Republic of Korea  
Tel: +82-(0)2-852-3731 FAX: +82-(0)2-852-3734

**Affiliated company**  
Shanghai Dahong Matsushima Machinery Co., Ltd.  
70 Hengchang Road, Dahong, Malu, Jiading, Shanghai 201801, China  
Tel: +86-(0)21-5951-4138 FAX: +86-(0)21-5951-4139