

# FULL DETECTOR

## *Stable detection of upper limit in powder and bulk solid vessel!*

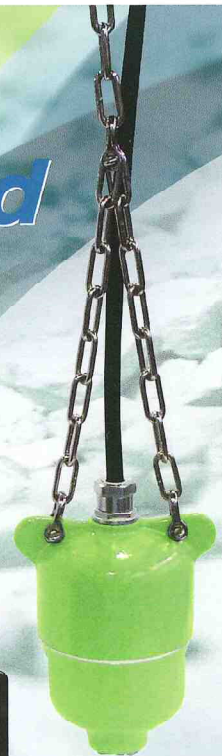
The Full Detector is a strong level switch to detect an upper level of powder and bulk solid materials, and consists of a tilt detector and a transducer.

The tilt detector hung with a stainless chain in a vessel operates when the switch part tilts about 20° due to an increase of stored materials. The output relay in the transducer actuates when the tilt detector operates and then the time set with a built-in timer (1 to 10s) passes.

Since the aluminum alloy with higher intensity is used as case of Detector, the Full Detector is applicable even in the circumstances causing damage to general level switches.



AMDC-12C  
Transducer



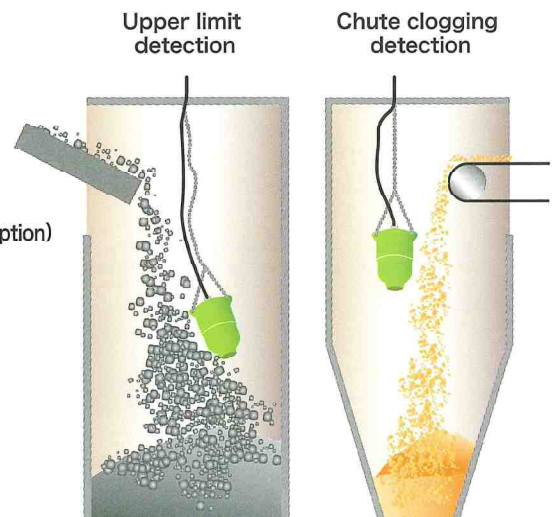
MFFC-20C  
Detector

### Features

- Simple and heavy-duty structure
- Wear-resistant
- Suitable for bulk and solid materials
- Suitable for powder with detection paddle (option)
- IP67 protection

### Various Applications

- Clinker silo   ● Coal/coke silo   ● Gravel/sand silo
- Ore silo   ● Cement silo   ● Aggregate bin



## Specifications

### Detector

Type	MFFC-20C
Actuating Angle	about 20° (at angle of Detecting Weight)
Detecting Length	5m max. from hung point
Built-in Switch	VX-015-1A3 Microswitch
Type of contact	1C contact *1
Contact Capacity	125V AC0.1A 30V DC0.1A
Allowable Temperature	-15°C~+60°C (150°C *2)
Enclosure	IP 67
Detecting unit Coating color	MUNSELL 7.5GY 6/10
Terminal box Coating color	MUNSELL 5Y 7/1
Mass	5kg (Switch : 2.5kg)

### Transducer

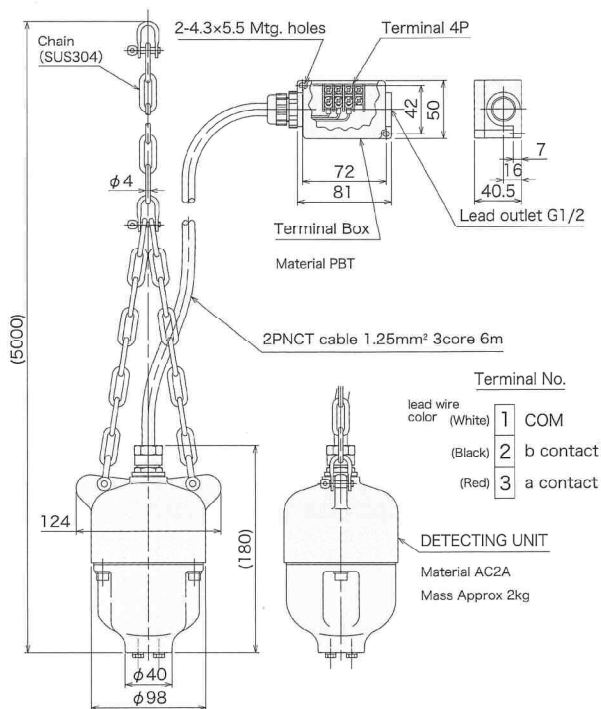
Type	AMDC-12C
Connection to detector	b contact (fail-safe type)
Output contact	1C contact
Capacity of contact	AC 250V 2A resistive
Timer	1~10s adjustable
Signal lamps	Power : Power supply Detect : Level detection
Allowable Temperature	-10°C~+50°C
Enclosure	IP 40
Power supply	AC100/110V, 200/220V, 50/60Hz
Mass	0.4kg

\*1 For the combination with the old Transducer model AMDC-24, connection should be "a contact".

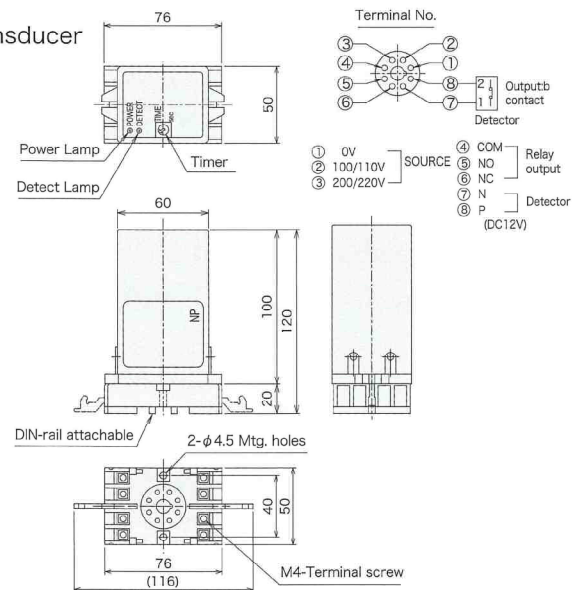
\*2 High temperature type (option) \*3 The intrinsically safe type is also available.

## Dimensions mm

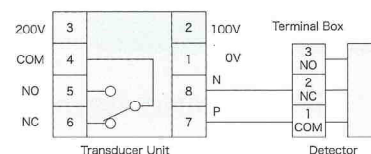
### Detector



### Transducer



## Terminal



Specifications are subject to change without notice.  
All Rights Reserved Copyright©2014, Matsushima Measure Tech Co., Ltd.



● Contact our nearest sales office when using our products for any systems used in situations which may be life threatening.

Distributor



## Matsushima Measure Tech Co., Ltd.

HEAD SALES OFFICE / FACTORY  
1-8-18, Norimatu Higashi, Yahatanishi-ku, Kitakyushu,  
807-0837, Japan  
Tel: +81-(0)93-691-3731 Fax: +81-(0)93-691-3735

SHANGHAI DAHONG MATSUSHIMA MACHINERY CO., LTD.  
70 Hengchang Road, Dahong, Malu, Jiading,  
Shanghai 201818, China  
Tel: +86-(0)21-59514138 Fax: +86-(0)21-59514139

POHANG REPRESENTATIVE OFFICE  
Odyssey Bldg. 1F, 41, Jukdo-ro, 28beon-gil, Buk-Gu,  
Pohang-Si, Gyeongsangbuk-do, 791-841, Korea  
Tel: +82-(0)54-274-3731 Fax: +82-(0)54-274-3731

http://www.matsushima-m-tech.com E-mail: info@matsushima-m-tech.com